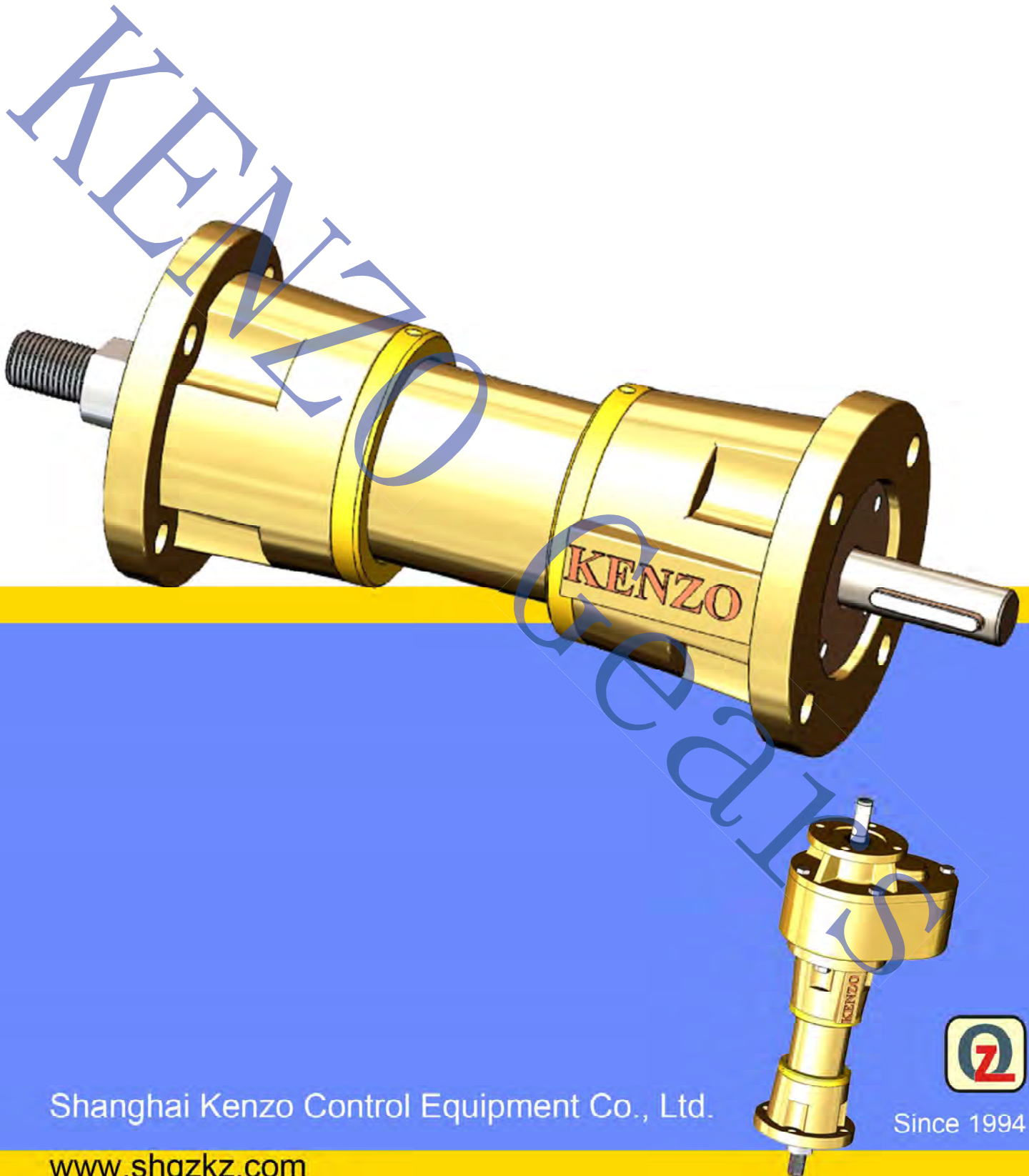


KENZO® Gears

QL Linear Thrust Unit



Shanghai Kenzo Control Equipment Co., Ltd.

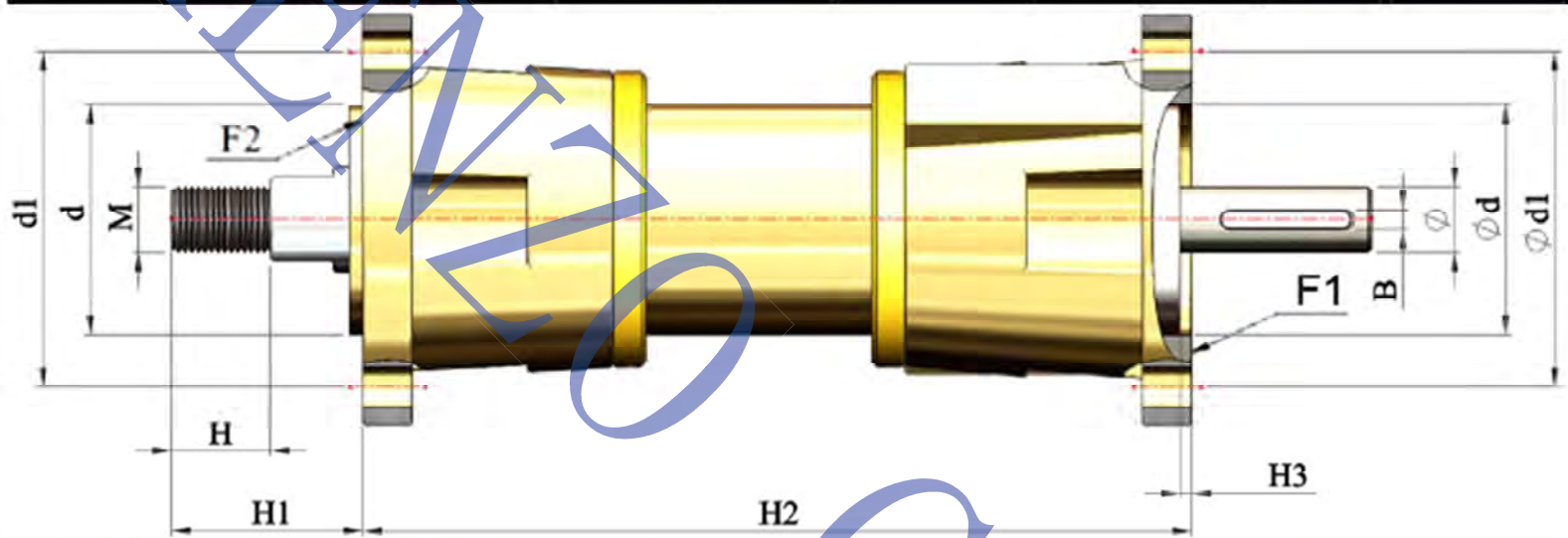
www.shqzkz.com



Since 1994

UNIT: mm

Model	Travel					Thread of Thrust Rod	Thread Pitch	Conversion Coefficient	Input Flange	Output Flange	Input Torque	Max. Thrust Capacity
								F			Nm	KN
QL12.1	50	100	150	200	400	26*5LH	5	0.38	F10	F10	30	11.5
QL25.1	50	100	150	200	400	26*5LH	5	0.38	F10	F10	60	23
QL50.1	50	100	150	200	400	32*6LH	6	0.312	F10	F10	125	39
QL70.1	100	160	320	400		40*7LH	7	0.256	F14	F14	250	64
QL100.1	100	160	320	400		40*7LH	7	0.256	F14	F14	500	128



Model	Input Part										Output Part			
	H2	Input Flange	P.C.D		Ød	Input Shaft		H1	H	d	M	Output Flange	P.C.D	
			F1	Ød1		N-H	Ø						KEY	F2
QL12.1	220/255/305/355/655	F10	102	4-Ø12	70	20	6x6	25	50	70	12x1.25	F10	102	4-Ø12
QL25.1	220/255/305/355/655	F10	102	4-Ø12	70	20	6x6	29	54	70	16x1.5	F10	102	4-Ø12
QL50.1	220/255/305/355/655	F10	102	4-Ø12	70	20	6x6	34	60	70	20x1.5	F10	102	4-Ø12
QL70.1	285/445/605/685	F14	140	4-Ø18	100	30	8x7	51	74	100	36x3	F14	140	4-Ø18
QL100.1	285/445/605/685	F14	140	4-Ø18	100	30	8x7	51	74	100	36x3	F14	140	4-Ø18

No.	Description	Material	BS	ASTM	Remark
1	Shaft Base	Steel	BS970 070M20	AISI/SAE 1023	Standard
2	Locking Nut	Steel	BS3692	A322-4140	
3	Outer Sleeve	Steel	BS970 070M20	AISI/SAE 1023	
4	Inner Sleeve	Steel	BS970 070M20	AISI/SAE 1023	
5	Bronze Nut	Aluminium Bronze		B148-C95800	
6	Screw Rod	Steel	BS970 045M10 or 606M36t	AISI/SAE 1010 or 4340	
7	Plain Bearing	Steel		ASTM A295-52100	
8	Bearing Cover	Steel	BS970 070M20	AISI/SAE 1023	
9	Output Shaft	Steel	BS970 070M20	AISI/SAE 1023	
OP-1	Hand Wheel	Steel Pipe	BS1387	A182	Option

2016.05. No.5 Version 1.0

Mobile: +86 138 163 78150

E-mail: sales@shqzkz.com

Tel: +86 21 5981 5581

Website: www.shqzkz.com

No.58 Yunhu Rd., Liantang Industrial Zone, Qingpu District, Shanghai, P.R.China 201716